

LCR F9100

Extended Temperature Range Single Stage Single Phase Filters

扩展温度系列单相单极滤波器

RoHS



LCR F9100 Series/系列

Features/特点

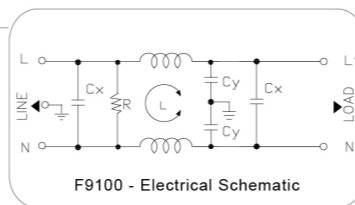
Extended temperature range for 80°C Ambient single phase power line filters for dynamic and high ambient environments.
扩展温度系列, 单相, 用于高温环境。

Typical Applications/应用范围

Applications at high ambient environments or with limited temperature rise requirements.
用于高温环境, 对温度上升有限制的情况下使用。

Technical Data/技术参数

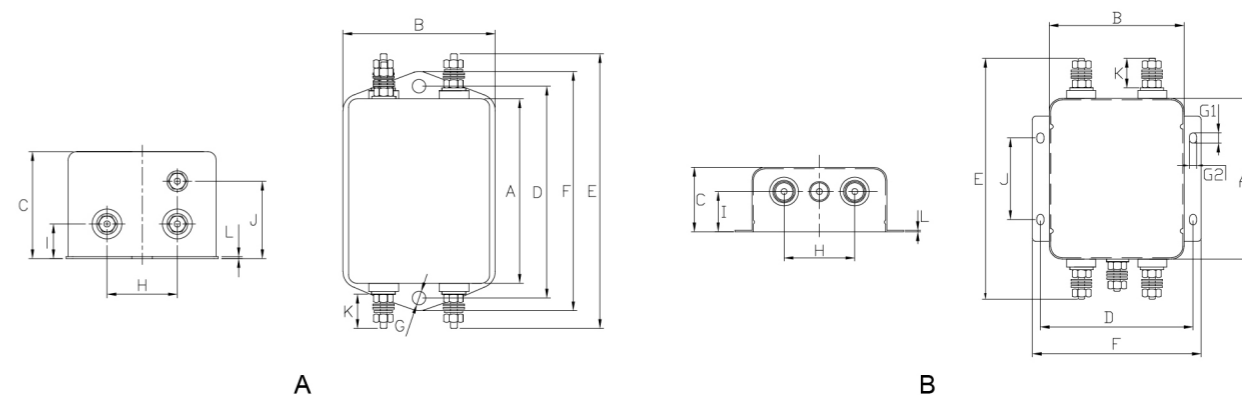
Rated Voltage Max. (V) 最高额定电压	250 VAC Max.	Leakage Current 漏电流	
Rated Current (A) 额定电流	5-35 A @ 80°C	@250 VAC 50Hz	0.89 mA Max.
Operating Frequency (Hz) 工作频率	50 / 60 Hz	@ 115 VAC 60 Hz	0.49 mA Max.
Hipot Rating 高压等级		Climatic category 气候类别	25 / 100 / 21
(Line to Line 线对线)	1450 VDC	Operating temp 运行温度	-40 to 100°C
(Line to Ground 线对地)	2250 VDC	IP Class 防尘防水等级	IP65
Case 外壳	Plated Steel		
Packaging Quantity 包装数量	60 / 12 Pcs per carton		



Model No. 型号	Rated Current (A) @ 80°C 额定电流	L / N Termination / terminals L/N端 端子	Ground Termination / Terminals 接地端子	Mechanical Diagram 外形图
F9100.00511.00	5 A	M4/8-32	M4/8-32	A
F9100.01011.00	10 A	M4/8-32	M4/8-32	A
F9100.02011.00	20 A	M4/8-32	M4/8-32	B
F9100.03011.00	30 A	M6/ 1/4-20	M6/ 1/4-20	B
F9100.03511.00	35 A	M6/ 1/4-20	M6/ 1/4-20	B

Please mark terminals type at the end of the P/N when order or inquiry /请在订单或询价单上注明端子类型

LCR F9100 Mechanical Outlines/外形图



LCR F9100 Mechanical Dimensions (mm)/外形尺寸

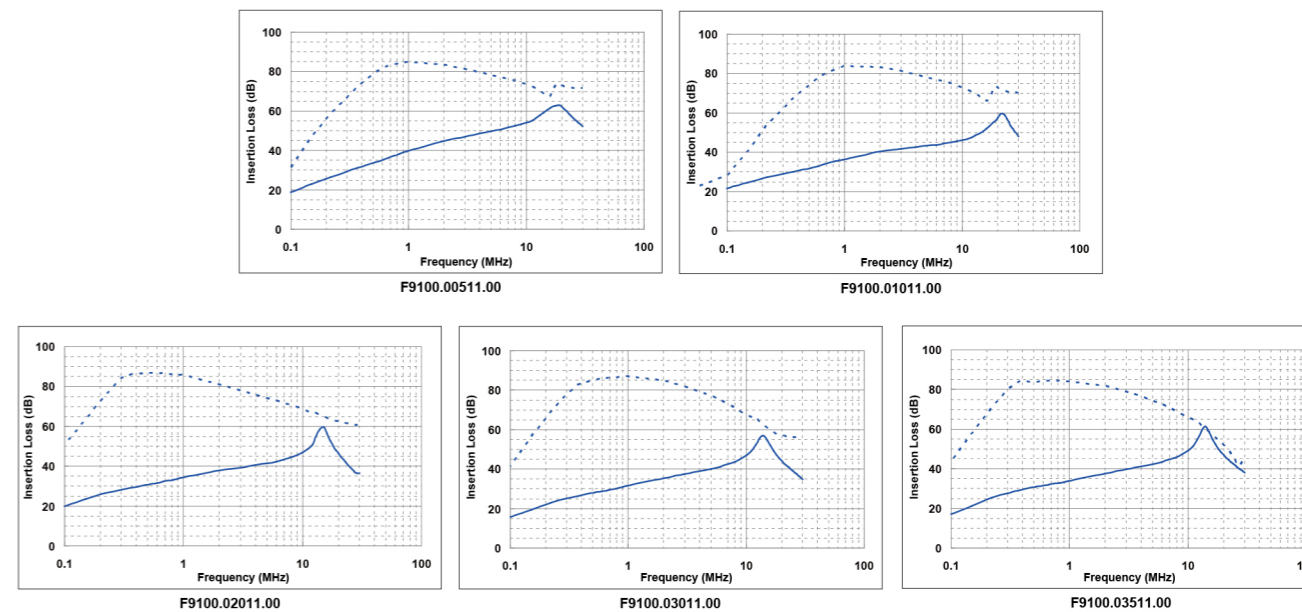
Model No.	A	B	C	D	E	F	G	H	I	J	K
F9100.00511.00	62.5	52.0	38.0	75.0	87.5	85.0	4.8	25.0	12.3	27.5	8.5
F9100.01011.00	62.5	52.0	38.0	75.0	87.5	85.0	4.8	25.0	12.3	27.5	8.5
F9100.02011.00	100.0	84.0	40.0	95.0	150.6	105.0	4-Φ4.5*6.5	44.0	25.0	50.8	20.5
F9100.03011.00	100.0	84.0	40.0	95.0	150.6	105.0	4-Φ4.5*6.5	44.0	25.0	50.8	20.5
F9100.03511.00	100.0	84.0	40.0	95.0	150.6	105.0	4-Φ4.5*6.5	44.0	25.0	50.8	20.5

所有单位为mm, 1 inch=25.4 mm (All dimensions in mm)

For reference purpose only 仅供参考

LCR F9100 Insertion Loss in dB measured in a 50Ω system /50 Ω环境下插入损耗

— Common Mode - - - - Differential Mode



☆ Other specifications, requirements and customizations can be offered upon request. / 其它规格可以根据您的要求定做