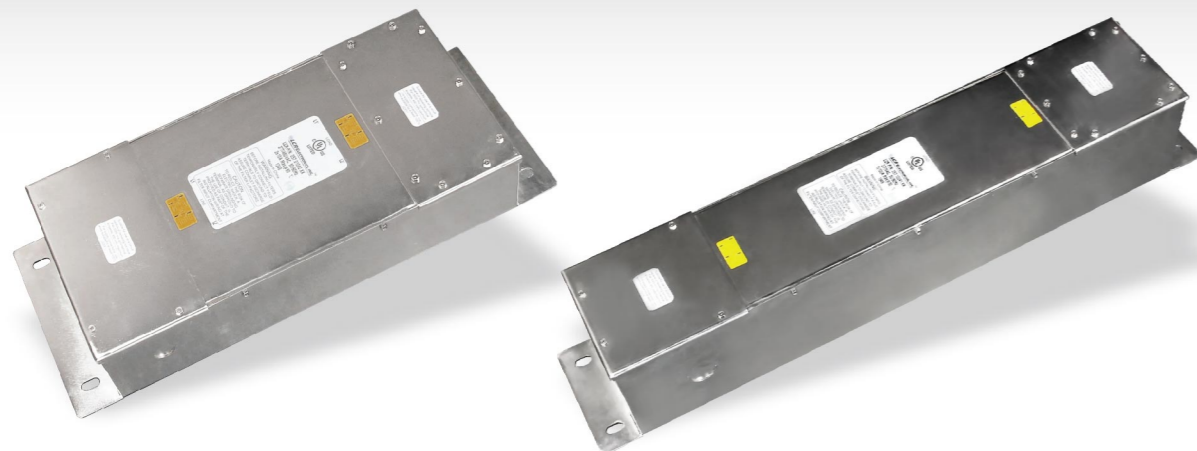


LCR 057 / 02 100dB@150KHz

High Performance Shielded Room Filters

高性能屏蔽室电源滤波器



LCR 057/02 Series/系列

Features/特点

UL Listed, 100dB from 150KHz. and up to 10GHz. (20GHz. - 40GHz. available per order), single line, dual lines, three lines and four lines models, shielded, sealed and robust filters for shielded facilities, *easy mounting and installation, threaded pipe with EMI gasket (Load) and knockouts inlets (Line), meet MIL-STD 220 and CISPR 17

UL认证产品,从150KHz到20GHz(40GHz,可定制)有100dB的衰减,单线,双线,三线和四线4款模式,为屏蔽室设计的屏蔽密封式滤波器,简洁的安装方式,配有EMI屏蔽布的螺纹管(输出端)和可敲击孔进线孔(输入端),符合MIL-STD 220 和 CISPR 17

☆ User manual for easy installation and installation hardware kit provided with each unit

配有用户安装手册及小五金零件

Typical Applications/应用范围

Shielded rooms and facilities, shielded enclosures, secured communication areas, EMC test laboratories, anechoic chambers, MRI screened facilities and other shielded facilities and applications.

屏蔽室, 屏蔽设备, 屏蔽元件, 安全通信领域, EMC实验室, 无回音室, MRI屏蔽设施和其它的屏蔽设备应用领域

Technical Data/技术参数

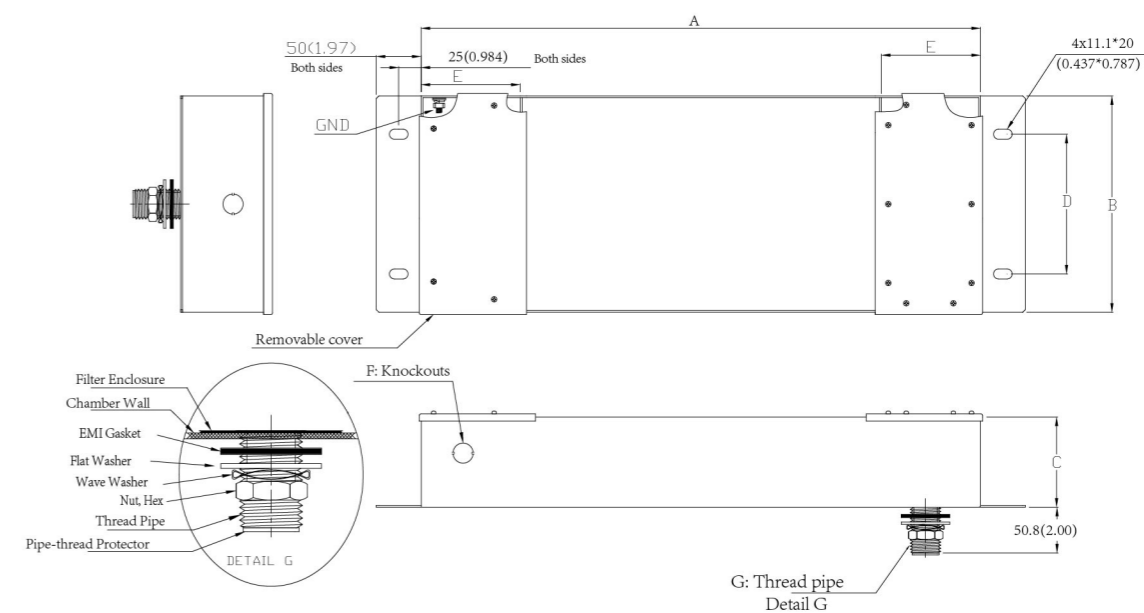
| | | | |
|---------------------------|-------------------|---|--------------|
| Rated Voltage 最高额定电压(V) | 277 / 480 VAC | ** Max. Capacitive Reactive Current per line (I _{Reactive}) 漏电流 | See table |
| Rated Current 额定电流(A) | 10A~250A @ 50°C | Voltage Drop 跌落电压 | 1% max. |
| Frequency 频率(Hz) | 50/60 Hz. | Overload (of rated current, 15 Minutes / hour) 过载能力 | 40% max. |
| Hi-Pot Rating 高压等级(L-GND) | 2200 VDC | IP Class 防尘防水等级 | IP65 |
| Storage Temperature | From -40C to +85C | Case Material 外壳材质 | Plated Steel |
| Operating Temperature | From -40C to +85C | Climatic Category 气候类别 (EN 60068-1) | 25/85/21 |

**WARNING: High Capacitive Reactive Current to Ground. Connect filter to Ground (PE) before apply power to / through filter
警告: 大容量接地电容会产生高漏电流, 请确保通电前接地良好!

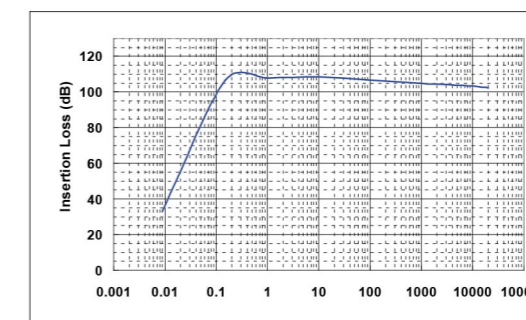
| Model No. 型号 | Lines 线数 | Rated Voltage (VAC) 额定电压 | Rated Current @40°C 额定电流 | Reactive A Per line @230V/50Hz 漏电流 | Mechanical Dimension shown in mm (inch) 外形尺寸 | | | | | | | Terminal 连接方式 GND/Line/Load 地线/入/出 | Ref. Unit 重量 |
|-----------------|-------------|--------------------------------|--------------------------------|---|--|-----------------|------------------|-----------------------|----------------------|-------------------------|--------------------------|---|-----------------|
| | | | | | A Length 长 | B Width 宽 | C Height 高 | D Footprint 安装孔 | E Chamber 操作空间 | F Knockouts 入线敲击孔 | G (NPT) Thread 螺纹管 | | |
| 057.01041.00 | 1 | 277 | 10 | 1.9 | 460 (18.11) | 110 (4.33) | 100 (3.94) | 80 (3.15) | 110 (4.33) | 22.23 (0.875) | 1-11.5 | M6 Screw | 6 Kg |
| 057.03041.00 | | 277 | 30 | 3.3 | 500 (19.69) | 120 (4.72) | 130 (5.12) | 80 (3.15) | 110 (4.33) | 22.23 (0.875) | 1-11.5 | M6 Screw | 9 Kg |
| 057.06041.00 | | 277 | 60 | 4.1 | 560 (22.05) | 140 (5.51) | 130 (5.12) | 80 (3.15) | 110 (4.33) | 22.23 (0.875) | 1-11.5 | M6 Screw | 12 Kg |
| 057.10041.00 | | 277 | 100 | 5.5 | 720 (28.35) | 150 (5.91) | 100 (3.94) | 100 (3.94) | 150 (5.90) | 34.93 (1.375) | 1-11.5 | M10 Screw | 15 Kg |
| 057.25041.00 | 2 | 277 | 250 | 5.5 | 720 (28.35) | 200 (7.88) | 140 (5.51) | 100 (3.94) | 150 (5.90) | 34.93 (1.375) | 1-11.5 | M12 Screw | 25 Kg |
| 057.01042.00 | | 277/480 | 10 | 1.9 | 460 (18.11) | 220 (8.66) | 100 (3.94) | 160 (6.30) | 110 (4.33) | 22.23 (0.875) | 1-11.5 | M6 Screw | 12 Kg |
| 057.03042.00 | | 277/480 | 30 | 3.3 | 500 (19.69) | 240 (9.44) | 130 (5.12) | 160 (6.30) | 110 (4.33) | 22.23 (0.875) | 1-11.5 | M6 Screw | 18 Kg |
| 057.06042.00 | | 277/480 | 60 | 4.1 | 560 (22.05) | 280 (11.02) | 130 (5.12) | 160 (6.30) | 110 (4.33) | 22.23 (0.875) | 1-11.5 | M6 Screw | 25 Kg |
| 057.10042.00 | 3 | 277/480 | 100 | 5.5 | 720 (28.35) | 300 (11.82) | 140 (5.51) | 200 (7.88) | 150 (5.90) | 34.93 (1.375) | 1.5-11.5 | M10 Screw | 30 Kg |
| 057.25042.00 | | 277/480 | 250 | 5.5 | 720 (28.35) | 400 (15.76) | 140 (5.51) | 200 (7.88) | 150 (5.90) | 34.93 (1.375) | 1.5-11.5 | M12 Screw | 40 Kg |
| 057.01043.00 | | 277/480 | 10 | 1.9 | 460 (18.11) | 330 (12.99) | 100 (3.94) | 240 (9.45) | 110 (4.33) | 22.23 (0.875) | 1-11.5 | M6 Screw | 20 Kg |
| 057.03043.00 | | 277/480 | 30 | 3.3 | 500 (19.69) | 360 (14.16) | 130 (5.12) | 240 (9.45) | 110 (4.33) | 22.23 (0.875) | 1-11.5 | M6 Screw | 25 Kg |
| 057.06043.00 | 4 | 277/480 | 60 | 4.1 | 560 (22.05) | 420 (16.53) | 130 (5.12) | 240 (9.45) | 110 (4.33) | 22.23 (0.875) | 1-11.5 | M6 Screw | 35 Kg |
| 057.10043.00 | | 277/480 | 100 | 5.5 | 720 (28.35) | 450 (17.73) | 140 (5.51) | 300 (11.81) | 150 (5.90) | 34.93 (1.375) | 1.5-11.5 | M10 Screw | 40 Kg |
| 057.25043.00 | | 277/480 | 250 | 5.5 | 720 (28.35) | 600 (23.62) | 140 (5.51) | 300 (11.81) | 150 (5.90) | 44.05 (1.734) | 1.5-11.5 | M12 Screw | 50 Kg |
| 057.01044.00 | | 277/480 | 10 | 1.9 | 460 (18.11) | 440 (17.32) | 100 (3.94) | 320 (12.60) | 110 (4.33) | 22.23 (0.875) | 1-11.5 | M6 Screw | 30 Kg |
| 057.03044.00 | 4 | 277/480 | 30 | 3.3 | 500 (19.69) | 480 (18.88) | 130 (5.12) | 320 (12.60) | 110 (4.33) | 22.23 (0.875) | 1-11.5 | M6 Screw | 35 Kg |
| 057.06044.00 | | 277/480 | 60 | 4.1 | 560 (22.05) | 560 (22.04) | 130 (5.12) | 320 (12.60) | 110 (4.33) | 34.93 (1.375) | 1.5-11.5 | M6 Screw | 45 Kg |
| 057.10044.00 | | 277/480 | 100 | 5.5 | 720 (28.35) | 600 (23.64) | 140 (5.51) | 400 (15.75) | 150 (5.90) | 34.93 (1.375) | 1.5-11.5 | M10 Screw | 55 Kg |
| 057.25044.00 | | 277/480 | 250 | 5.5 | 720 (28.35) | 800 (31.50) | 140 (5.51) | 400 (15.75) | 150 (5.90) | 44.05 (1.734) | 2.5-11.5 | M12 Screw | 65 Kg |

For frequency above 10 GHz, increase dimensions A by 100mm(3.94").

LCR 057/02 Mechanical Outlines/外形图



LCR 057/02 Insertion Loss in dB measured in a 50Ω system /50 Ω环境下插入损耗



Low Leakage Current units are available on order / upon request - please contact LCR / 若您需求低漏电流产品,可以根据您的要求定制, 请联系LCR