

LCR 058 / 058E

Telephone line, Data line and Control line Filters
电话线, 信号线, 控制线电源滤波器

RoHS



A: LCR 058 Filter 058滤波器



B: LCR 058 Filter in single unit enclosure
组装在单一机柜中的058滤波器

LCR 058/058E Series/系列

Features/特点

High performance communication telephone line, data line and control line filters
高性能通信电话及数据, 控制线滤波器

Typical Applications/应用范围

MRI rooms, shielded rooms, communication cabins and information security application
MRI室, 屏蔽室, 通信机箱和信息安全应用领域

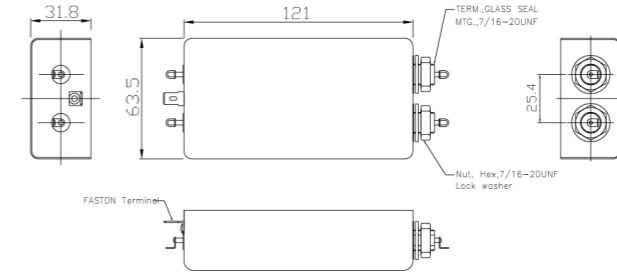
Technical Data/技术参数

Rated Voltage 最高额定电压(V)	600VDC/300VAC Line to Line	Case 外壳	Plated steel
Rated Current 额定电流(A)	0.5~5A @ 50°C	IP Class 防尘防水等级	IP65
Frequency 频率(Hz)	See Below Band	Operating Temperature 工作温度	From -40C to + 85C
Hi-Pot Rating 高压等级(L-GND)	1000VDC Max, 2Sec	Climatic Category 气候类别 (EN 60068-1)	25/85/21

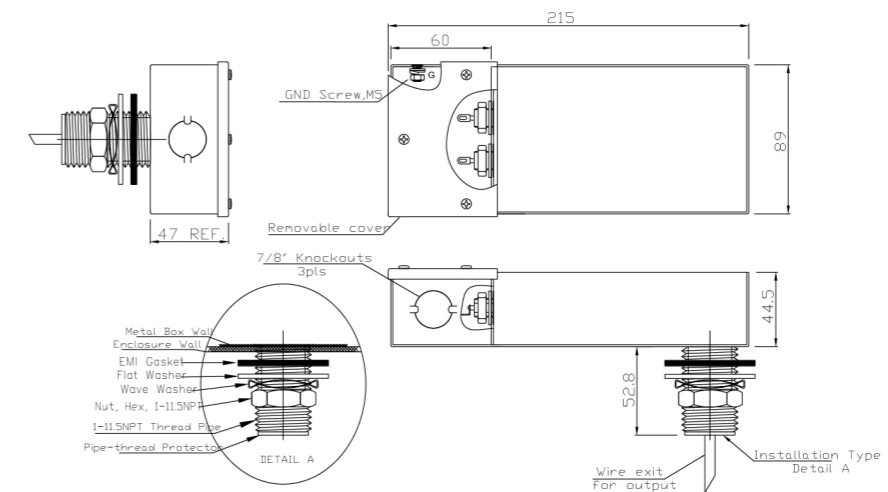
Model No. 型号	Rated Voltage (VAC) 额定电压	Application 应用	System Impedance 系统阻抗		Insertion Loss 插入损耗	
			Balanced L-L (ohm)	Unbalanced L-G (ohm)	Pass Band(3dB Max.) 通过频段	Stop Band(100dB Min.) 截止频段
058.00001.00	2x0.5A	Telephone Filter	600	300	0-6 KHz	20 KHz-10 GHz
058.00002.00	2x0.5A	4.8 kbaud Data Filter	600	300	0-15 KHz	50 KHz-10 GHz
058.00003.00	2x0.5A	Voice/Data Filter	600	450	0-15 KHz	50 KHz-10 GHz
058.10001.00	2x0.5A	23.0 kbaud Data Filter	--	--	0-23 KHz	150 MHz-1 GHz
058.00004.00	2x0.5A	9.6 kbaud Data Filter	600	300	0-30 KHz	100 KHz-10 GHz
058.00005.00	2x0.5A	19.2 kbaud Data Filter	600	300	0-60 KHz	250KHz-10 GHz
058.00006.00	2x0.5A	30.0 kbaud Data Filter	600	450	0-90 KHz	350KHz-10 GHz
058.00007.00	2x0.5A	48.0 kbaud Data Filter	600	300	0-150 KHz	700KHz-10 GHz
058.00008.00	2x0.5A	64.0 kbaud Data Filter	600	450	0-200 KHz	1 MHz-10 GHz
058.00009.00	2x0.5A	10 Mbaud Data Filter	600	300	0-40 MHz	100 MHz-10 GHz
058.10101.00	2x1A	Control Line Filter	--	--	--	14 KHz-10 GHz
058.10102.00	2x1A	Alarm Filter	--	--	--	14 KHz-1 GHz
058.10201.00	2x2A	Control Line Filter	--	--	--	14 KHz-10 GHz
058.10301.00	2x3A	Control Line Filter	--	--	--	14 KHz-10 GHz
058.10401.00	2x4A	Control Line Filter	--	--	--	14 KHz-10 GHz
058.10501.00	2x5A	Control Line Filter	--	--	--	14 KHz-10 GHz

Terminal Options: Solder lugs, RJ 45 and other terminal options aslo available upon request; 连接方式: 焊锡端子, RJ45及其它所需连接方式

LCR 058/058E Mechanical Outlines/外形图



LCR 058 Filter Outline 058滤波器外观图



LCR 058 Filter (single unit enclosure) 组装在单一机柜中的058滤波器外观图

☆ Other specifications, requirements and customizations can be offered upon request. / 其它规格可以根据您的要求定做