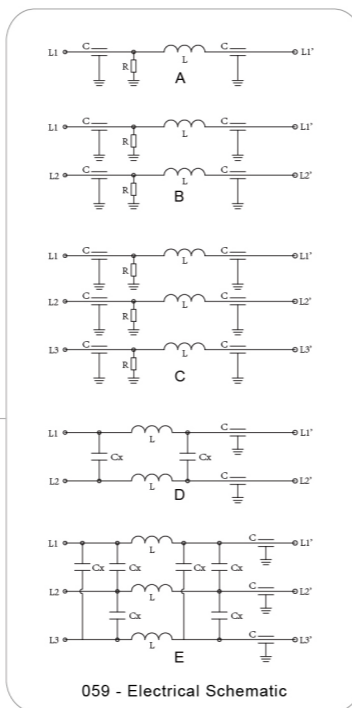
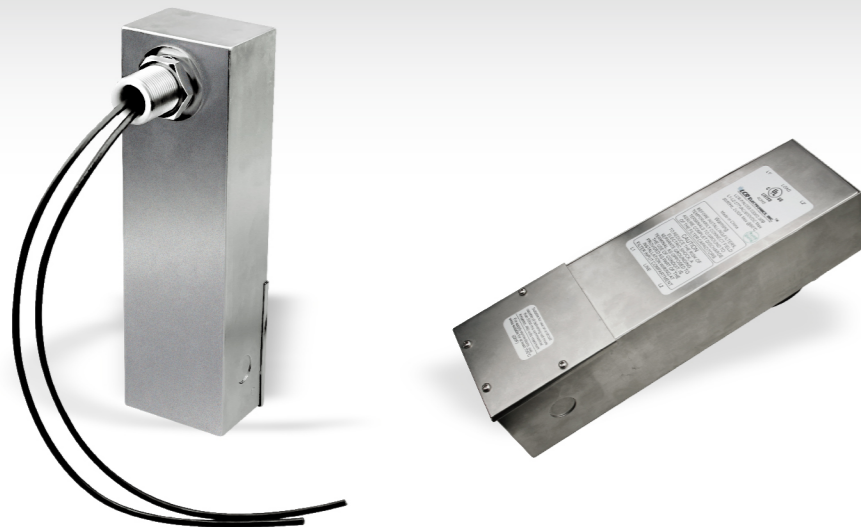


LCR 059

MRI Shielded Room and Enclosure Power Line Filters
MRI 屏蔽室和封闭室电源滤波器



LCR 059 Series/系列

Features/特点

Designed for use in MRI shielded rooms and enclosures. Provides high attenuation (100dB) from 5MHz to 10GHz. Sealed construction with removable shielded cover for input connections through Knock-Outs and threaded conduit pipe for output connections via flexible cable.

专业用于MRI屏蔽室和封闭室，提供在5MHz到10GHz之间更高的衰减，密封结构，可拆卸的屏蔽盖供输入安装连接，输入端采用可敲击孔和螺杆，输出端采用波纹管 and UL1015 PVC线连接。

- ☆ 100dB from 5MHz to 10GHz
- ☆ User manual for easy installation and full hardware kits provided with each unit
配有用户手册和五金配件，方便安装

Typical Applications/应用范围

MRI Shielded rooms and facilities, shielded enclosures, secured communication areas, EMC test laboratories, anechoic chambers, MRI screened facilities and other shielded facilities and applications.
MRI屏蔽室和设备，屏蔽封闭室，安全通信领域，EMC实验室，无回音室和其它的相关屏蔽应用领域。

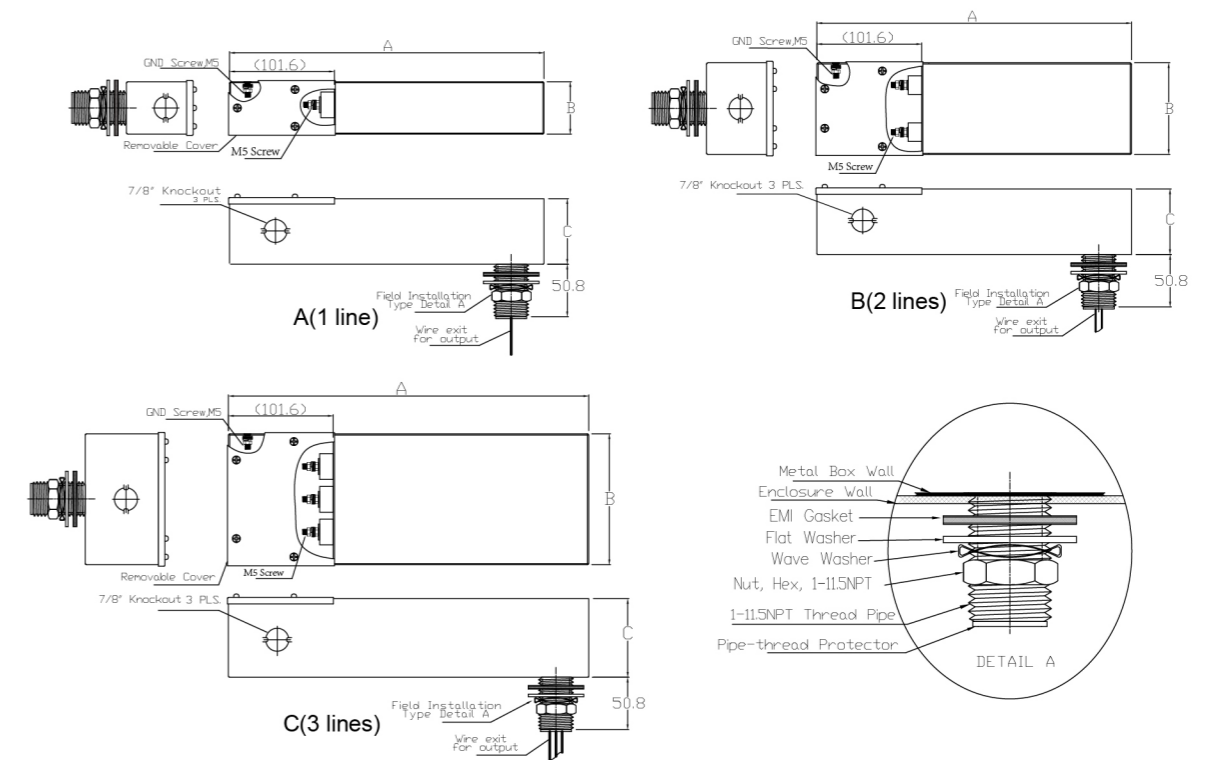
Technical Data/技术参数

Rated Voltage 最高额定电压(V)	120 / 277 VAC Line to GND	Operating Temperature 操作温度	From -40C to + 85C
Rated Current 额定电流(A)	Up to 50A @ 60°C	Output Cables(Load sied)输入端线 (负载)	UL 1015
Over Load(% of rated Current) 负载	150% / 10 minutes	Leakage Current (L-GND)	
Opetating Frequency 频率(Hz) 工作频率	50/60 Hz	@ 277 VAC / 60Hz(Schematic A,B,C)	<50mA
Hi-Pot Rating 高压等级	Per UL 1283	@ 277 VAC / 60Hz(Schematic D,E)	<5mA
Voltage Drop at rated current	<1%	Attenuation (Common Mode) 衰减(共模)	>100dB(5MHz To 10GHz)
额定电流下的压降		Climatic Category 气候类别(EN60068-1)	25/85/21
Case 外壳	Plated steel	IP Class 防尘防水等级	IP65

Model No. 型号	Rated Current @ 40°C 额定电流	Number of Lines 线数	Schematic 电路图	Mechanical Outlines 外形图	Terminal Options 连接方式		Mechanical Dimension 外形尺寸			
					In 入	Out 出	A (mm)	B (mm)	C (mm)	D (mm)
059.00101.00	1 A	1	A	A	Knock-Out Shielded Screw Type-M5	NPT Threaded Pipe- wire exit	305	50	64	1-11.5NPT
059.00501.00	5 A				Knock-Out Shielded Screw Type-M5	NPT Threaded Pipe- wire exit	305	50	64	1-11.5NPT
059.01001.00	10 A				Knock-Out Shielded Screw Type-M5	NPT Threaded Pipe- wire exit	305	50	64	1-11.5NPT
059.01501.00	15 A				Knock-Out Shielded Screw Type-M5	NPT Threaded Pipe- wire exit	305	50	64	1-11.5NPT
059.03001.00	30 A				Knock-Out Shielded Screw Type-M5	NPT Threaded Pipe- wire exit	305	50	64	1-11.5NPT
059.05001.00	50 A	2	B/D	B	Knock-Out Shielded Screw Type-M5	NPT Threaded Pipe- wire exit	305	50	64	1-11.5NPT
059.00101.00	1 A				Knock-Out Shielded Screw Type-M5	NPT Threaded Pipe- wire exit	305	89	64	1-11.5NPT
059.00501.00	5 A				Knock-Out Shielded Screw Type-M5	NPT Threaded Pipe- wire exit	305	89	64	1-11.5NPT
059.01001.00	10 A				Knock-Out Shielded Screw Type-M5	NPT Threaded Pipe- wire exit	305	89	64	1-11.5NPT
059.01501.00	15 A				Knock-Out Shielded Screw Type-M5	NPT Threaded Pipe- wire exit	305	89	64	1-11.5NPT
059.03001.00	30 A	3	C/E	C	Knock-Out Shielded Screw Type-M5	NPT Threaded Pipe- wire exit	350	102	76	1-11.5NPT
059.05001.00	50 A				Knock-Out Shielded Screw Type-M5	NPT Threaded Pipe- wire exit	350	127	76	1-11.5NPT
059.00101.00	1 A				Knock-Out Shielded Screw Type-M5	NPT Threaded Pipe- wire exit	305	127	64	1-11.5NPT
059.00501.00	5 A				Knock-Out Shielded Screw Type-M5	NPT Threaded Pipe- wire exit	305	127	64	1-11.5NPT
059.01001.00	10 A				Knock-Out Shielded Screw Type-M5	NPT Threaded Pipe- wire exit	305	127	64	1-11.5NPT
059.01501.00	15 A				Knock-Out Shielded Screw Type-M5	NPT Threaded Pipe- wire exit	350	127	76	1-11.5NPT
059.03001.00	30 A				Knock-Out Shielded Screw Type-M5	NPT Threaded Pipe- wire exit	350	152	76	1-11.5NPT
059.05001.00	50 A				Knock-Out Shielded Screw Type-M5	NPT Threaded Pipe- wire exit	350	172	76	1-11.5NPT

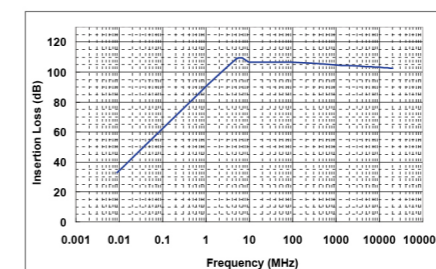
Please mark terminals type at the end of the P/N when order or inquiry /请在订单或询价单上注明端子类型

LCR 059 Mechanical Outlines/外形图



LCR 059 Insertion Loss in dB measured in a 50Ω system /50 Ω环境下插入损耗

— Common Mode ---- Differential Mode



☆ Other specifications, requirements and customizations can be offered upon request. / 其它规格可以根据您的要求定做